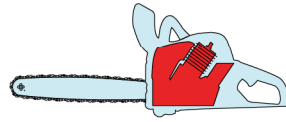


P

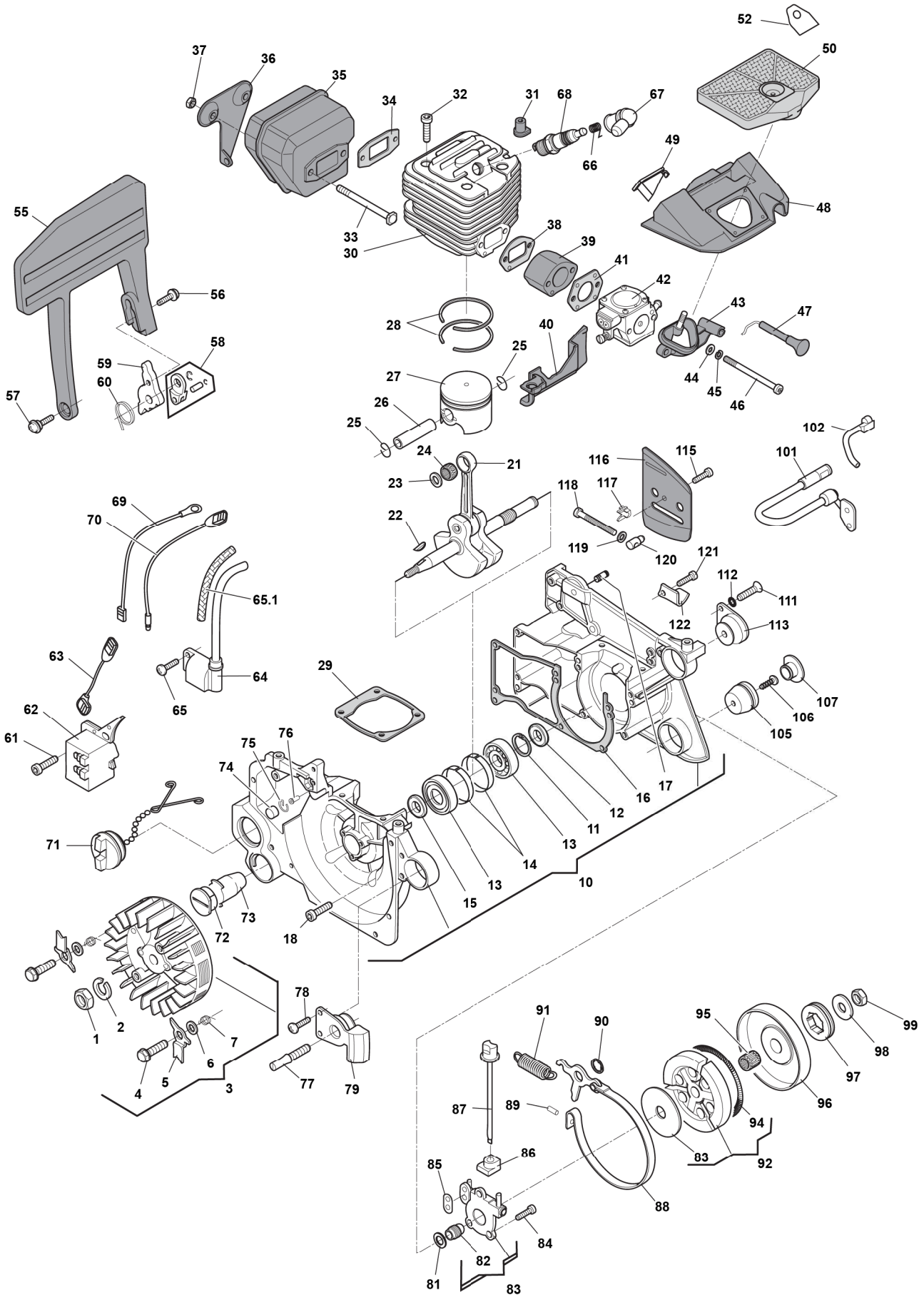
680



2007

301.0

1 / 4



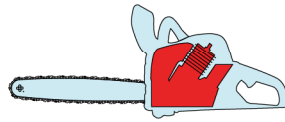


| N. | CODE | Q.TY | DESCRIZIONE | DESCRIPTION | DESCRIPTION | BESCHREIBUNG | REMARKS |
|------|------------|------|--------------------------------|---------------------|-------------------------|------------------------|---------|
| 1 | 6995020 | 1 | DADO | NUT | ECROU | MUTTER | |
| 2 | 6995014 | 1 | RONDELLA | WASHER | RONDELLE | UNTERLEGSCHIEBE | |
| 3 | 6995056 | 1 | ASS. VOLANO C/MASSE | FLYWHEEL ASS.Y | ENS. VOLANT | SET SCHWUNGRAD | |
| 4 | 6995075 | 2 | VITE | SCREW | VIS | SCHRAUBE | |
| 5 | 6995130 | 2 | AGGANCIO AVVIAMENTO | STARTER HOOK | FIXATION DÉMARREUR | SPERRE STARTER | |
| 6 | 6995132 | 2 | RONDELLA | WASHER | RONDELLE | UNTERLEGSCHIEBE | |
| 7 | 6995098 | 2 | MOLLA AGGANCIO | SPRING | RESSORT | FEDER SPERRUNG | |
| 10 | 6995151 | 1 | ASS.CARTER MOTORE | CRANKASE ASS.Y | ENS. CARTER MOTEUR | PAAR MOTORABDECKUNG | |
| 11 | 6995017 | 1 | ANELLO ELASTICO | ELASTIC RING | ANNEAU ÉLASTIQUE | ELASTISCHER RING | |
| 12 | 6995165 | 1 | ANELLO DI TENUTA | SEAL RING | ANNEAU DE TENUE | DICHTRING | |
| 13 | 6995166 | 2 | CUSCINETTO | BEARING | ROUL. À BILLES | KUGELLAGER | |
| 14 | 6995029 | 2 | RONDELLA | WASHER | RONDELLE | UNTERLEGSCHIEBE | |
| 15 | 6995084 | 1 | ANELLO DI TENUTA | SEAL RING | ANNEAU DE TENUE | DICHTRING | |
| 16 | 6995139 | 1 | GUARNIZIONE CARTER | CRANKCASE GASKET | GARNITURE CARTER | GEHÄUSEDICHTUNG | |
| 17 | 6995028 | 2 | PERNO | PIN | TOURILLON | STIFT | |
| 18 | 6995070 | 6 | VITE | SCREW | VIS | SCHRAUBE | |
| 21 | 6995042 | 1 | ASS. ALBERO MOTORE | CRANKSHAFT | ARBRE MOTEUR | SET MOTORWELLE | |
| 22 | 6995018 | 1 | LINGUETTA VOLANO | FLYWHEEL KEY | LANGUETTE VOLANT | LASCHE SCHWUNGRAD | |
| 23 | 6995041 | 2 | RONDELLA | WASHER | RONDELLE | UNTERLEGSCHIEBE | |
| 24 | 6995021 | 1 | CUSCINETTO | BEARING | ROUL. À BILLES | KUGELLAGER | |
| 25 | 6995093 | 2 | FERMO SPINOTTO | WASHER, PISTON PIN | CIRCLIP POINTEAU | ANSCHLAG ZAPFEN | |
| 26 | 6995129 | 1 | SPINOTTO PISTONE | PISTON PIN | POINTEAU PISTON | KOLBENBOLZEN | |
| 27 | 6995054 | 1 | PISTONE | PISTON | PISTON | KOLBEN | |
| 28 | 6995055 | 2 | FASCIA ELASTICA | PISTON RING | COLLIER ÉLASTIQUE | KOLBENRING | |
| 29 | 6995027 | 1 | GUARNIZIONE CILINDRO | CYLINDER GASKET | JOINT CYLINDRE | ZYLINDERDICHTUNG | |
| 30 | 6995136 | 1 | CILINDRO | CYLINDER | CYLINDRE | ZYLINDER | |
| 31 | 6995100 | 1 | GOMMINO | GROMMET | CAOUTCHOUC | GUMMI | |
| 32 | 6995070 | 4 | VITE | SCREW | VIS | SCHRAUBE | |
| 33 | 6995103 | 2 | VITE | SCREW | VIS | SCHRAUBE | |
| 34 | 6995102 | 1 | GUARNIZIONE SILENZIA-TORE | GASKET | JOINT SILENCIEUX | DICHTUNG SCHALLDÄMPFER | |
| 35 | 6995025 | 1 | SILENZIATORE | MUFFLER | SILENCIEUX | SCHALLDÄMPFER | |
| 36 | 6995101 | 1 | DEFLETTORE | DEFLECTOR | DEFLECTEUR | ABWEISER | |
| 37 | 6995064 | 2 | DADO | NUT | ECROU | MUTTER | |
| 38 | 6995137 | 1 | GUARNIZ.COLLETT-CILINDRO | INTAKE MANIF-GASKET | JOINT COLLECT.-CYL. | DICHT. KOLLEKT.-ZYL. | |
| 39 | 6995053 | 1 | COLLETTORE ASPIRAZIONE | INTAKE MANIFOLD | COLLECTEUR ASPIRATEUR | KOLLEKTOR ANSAUGUNG | |
| 40 | 6995112 | 1 | CONVOGLIATORE ARIA CILINDRO | AIR CONVEYOR | CONVOYEUR AIR | LUFTSAMMELLEITUNG | |
| 41 | 6995138 | 1 | GUARNIZ.COLLETTORE-CARBURATORE | INTAKE-CARB GASKET | JOINT COLLECT.-CARB. | DICHT. KOLLEKTOR-VERG. | |
| 42 | 6995149 | 1 | CARBURATORE | CARBURETTOR | CARBURATEUR | VERGASER | |
| 43 | 6995126 | 1 | COLLETTORE ARIA | AIR MANIFOLD | COLLECTEUR AIR | LUFTKOLLEKTOR | |
| 44 | 23657003/0 | 2 | RONDELLA | WASHER | RONDELLE | UNTERLEGSCHIEBE | |
| 45 | 6995003 | 2 | RONDELLA | WASHER | RONDELLE | UNTERLEGSCHIEBE | |
| 46 | 6995001 | 2 | VITE | SCREW | VIS | SCHRAUBE | |
| 47 | 6995051 | 1 | LEVA ARIA | CHOKE LEVER | LEVIER AIR | CHOKERHEBEL | |
| 48 | 6995150 | 1 | SUPPORTO FILTRO ARIA | AIR FILTER HOLDER | SUPPORT FILTRE À HUILE | HALTER LUFTFILTER | |
| 49 | 6995026 | 1 | ASS. TAPPO | CAP ASS'Y | BOUCHON | SET DECKEL | |
| 50 | 6995146 | 1 | FILTRO ARIA | AIR FILTER | FILTRE À AIR | LUFTFILTER | |
| 52 | 6995145 | 1 | PIASTRINA | PLATE | PLAQUE | HALTBLECH | |
| 55 | 6995148 | 1 | ASS. PARAMANO | HAND GUARD ASSY | ENS. PROTÈGE-MAIN | SET HANDSCHUTZ | |
| 56 | 6995062 | 1 | VITE | SCREW | VIS | SCHRAUBE | |
| 57 | 6995142 | 1 | VITE | SCREW | VIS | SCHRAUBE | |
| 58 | 6995147 | 1 | FERMO | RETAINER | BUTÉE | SPERRUNG | |
| 59 | 6995058 | 1 | LEVA | LEVER | LEVIER | HEBEL | |
| 60 | 6995108 | 1 | MOLLA | SPRING | RESSORT | FEDER | |
| 61 | 6995083 | 2 | VITE | SCREW | VIS | SCHRAUBE | |
| 62 | 6995141 | 1 | MAGNETE | MAGNET | AIMANT | MAGNET | |
| 63 | 6995046 | 1 | CAVO | CABLE | CABLES | KABEL | |
| 64 | 6995045 | 1 | ASS. BOBINA ELETTRONICA | IGNITION ASS'Y | BOBINE ÉLECTRONIQUE | SET ELEKTRONIKSPULE | |
| 65 | 6995008 | 2 | VITE | SCREW | VIS | SCHRAUBE | |
| 65,1 | 6995065 | 1 | GUAINA | JACKET TUBE | GAINÉ | HÜLLE | |
| 66 | 6995022 | 1 | MOLLA ATTACCO CANDELA | SPARK PLUG SPRING | RESSORT FIXATION | FEDER ZÜNDKERZENBEF. | |
| 67 | 6995066 | 1 | CAPPUCCIO CANDELA | SPARK PLUG COVER | BOUGIE | ZÜNDKERZENKAPPE | |
| 68 | 3210024 | 1 | CANDELA | SPARK PLUG | BOUGIE | ZÜNDKERZE | |
| 69 | 6995047 | 1 | CAVO BOBINA-INTERRUPTORE | COIL-SWITCH CABLE | CÂBLE BOBINE-INTERRUPT. | SPULENDRAHT | |
| 70 | 6995048 | 1 | CAVO MASSA | EARTH CABLE | CÂBLE MASSE | ERDUNGSKABEL | |
| 71 | 6995109 | 1 | ASS. TAPPO OLIO | TANK CAP | BOUCHON HUILE | SATZ ÖLSTOPFEN | |
| 72 | 6995155 | 2 | TAPPO ANTIVIBRANTE | WELCH PLUG | BOUCHON | STOPFEN | |
| 73 | 6995036 | 2 | ANTIVIBRANTE | SHOCK ABSORBER | ANTIVIBRATIONS | SCHWINGUNGSDÄMPFER | |
| 74 | 6995087 | 1 | VALVOLA | VALVE | VANNE | VENTIL | |
| 75 | 6995088 | 1 | FERMO | RETAINER | BUTOIR | SPERRUNG | |
| 76 | 6995081 | 1 | VALVOLA | VALVE | VANNE | VENTIL | |
| 77 | 6995040 | 2 | PERNO | PIN | TOURILLON | STIFT | |
| 78 | 6995032 | 2 | VITE | SCREW | VIS | SCHRAUBE | |
| 79 | 6995037 | 1 | ANTIVIBRANTE | SHOCK ABSORBER | ANTIVIBRATIONS | SCHWINGUNGSDÄMPFER | |



P

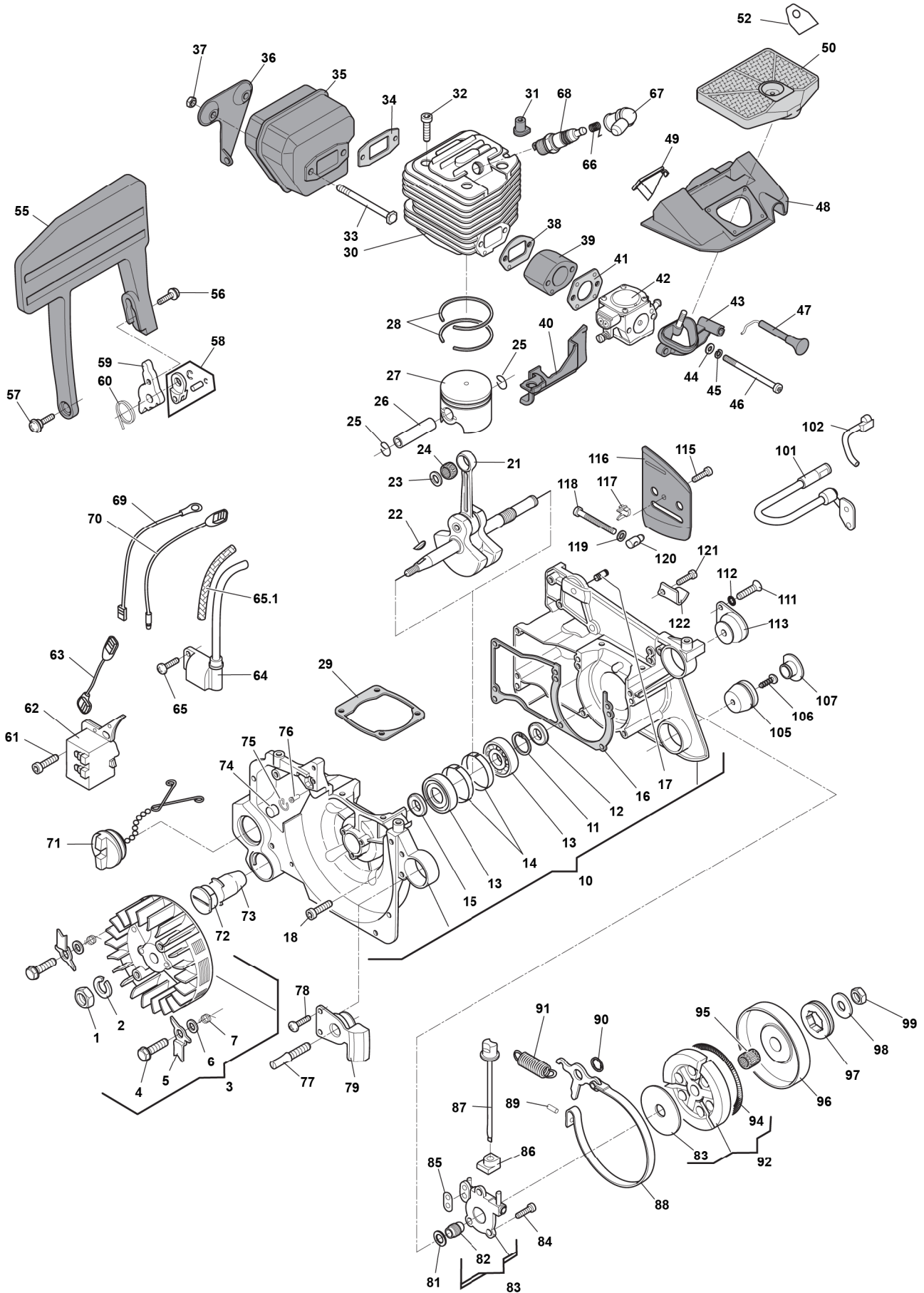
680



2007

301.0

3 / 4



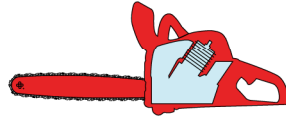


| N. | CODE | Q.TY | DESCRIZIONE | DESCRIPTION | DESCRIPTION | BESCHREIBUNG | REMARKS |
|-----|------------|------|---------------------------------|---------------------------------|------------------------------|-----------------------------|---------|
| 81 | 6995019 | 0-2 | RONDELLA | WASHER | RONDELLE | UNTERLEGSCHIEBE | |
| 82 | 6995119 | 1 | VITE | SCREW | VIS | SCHRAUBE | |
| 83 | 6995140 | 1 | ASS. POMPA OLIO | OIL PUMP | POMPE À HUILE | SATZ ÖLPUMPE | |
| 84 | 6995011 | 3 | VITE | SCREW | VIS | SCHRAUBE | |
| 85 | 6995120 | 1 | GUARNIZIONE | GASKET | GARNITURE | DICHTUNG | |
| 86 | 6995121 | 1 | GOMMINO | GROMMET | CAOUTCHOUC | GUMMI | |
| 87 | 6995122 | 1 | PERNO REGOLAZIONE POMPA REG. | RETAINING PIN | AXE RÉGLAGE POMPE RÉG. | REGLERSTIFT PUMPE EINST. | |
| 88 | 6995106 | 1 | NASTRO FRENO C/SPINA | BRAKE BAND | BANDE FREIN + AXE | BREMSBAND M. STIFT | |
| 89 | 23665001/0 | 1 | SPINA | PIN | CHEVILLE | STIFT | |
| 90 | 6995015 | 2 | ANELLO ELASTICO | ELASTIC RING | ANNEAU ÉLASTIQUE | ELASTISCHER RING | |
| 91 | 6995059 | 1 | MOLLA | SPRING | RESSORT | FEDER | |
| 92 | 6995043 | 1 | ASS. FRIZIONE | CLUTCH ASS.Y | FRICTION | SET KUPPLUNG | |
| 93 | 6995044 | 1 | RONDELLA | WASHER | RONDELLE | UNTERLEGSCHIEBE | |
| 94 | 6995095 | 1 | MOLLA | SPRING | RESSORT | FEDER | |
| 95 | 6995079 | 1 | GABBIA A RULLI | NEEDLE BEARING | CAGE À ROULEMENTS | WALZENKÄFIG | |
| 96 | 6995094 | 1 | ASS.CAMPANA FRIZIONE | DRUM ASS'Y, CLUTCH | CLOCHE FRICTION | SET KUPPLUNGSGLOCKE | |
| 97 | 6995128 | 1 | ASS. RUOTA DENTATA | GEAR ASSY | ENS. ROUE DENTÉE | SATZ ZAHNRAD | |
| 98 | 6995096 | 1 | RONDELLA | WASHER | RONDELLE | UNTERLEGSCHIEBE | |
| 99 | 6995074 | 1 | DADO | NUT | ECROU | MUTTER | |
| 101 | 6995104 | 1 | ASS. PESCANTE OLIO C/TUBO | FILTER INTANK ASSY WITH PIPE | TUBE ASPIRATION HUILE | SATZ ÖLZUFUHR M.SCHLAUCH | |
| 102 | 6995105 | 1 | TUBO MANDATA OLIO | OIL TUBE OUTLET | TUYAU REFOUL. HUILE | ABFLUSS ÖL | |
| 105 | 6995038 | 1 | ANTIVIBRANTE | SHOCK ABSORBER | ANTIVIBRATIONS | SCHWINGUNGSDÄMPFER | |
| 106 | 6995023 | 1 | VITE | SCREW | VIS | SCHRAUBE | |
| 107 | 6995068 | 1 | TAPPO GOMMINO ANTIVIB. | CAP | BOUCHON CAOUT. ANTIVIB. | DECKEL | |
| 111 | 6995007 | 2 | VITE | SCREW | VIS | SCHRAUBE | |
| 112 | 6995077 | 2 | RONDELLA | WASHER | RONDELLE | UNTERLEGSCHIEBE | |
| 113 | 6995039 | 1 | ANTIVIBRANTE | SHOCK ABSORBER | ANTIVIBRATIONS | SCHWINGUNGSDÄMPFER | |
| 115 | 6995006 | 1 | VITE | SCREW | VIS | SCHRAUBE | |
| 116 | 6995117 | 1 | LAMIERINO BASE BARRA INTERNO | PLATE | PLAQUE BASE GUIDE INTERNE | BLECH BASIS STANGE INN. | |
| 117 | 6995086 | 1 | VITE | SCREW | VIS | SCHRAUBE | |
| 118 | 6995085 | 1 | VITE | SCREW | VIS | SCHRAUBE | |
| 119 | 23657003/0 | 1 | RONDELLA | WASHER | RONDELLE | UNTERLEGSCHIEBE | |
| 120 | 6995078 | 1 | PERNO | PIN | TOURILLON | STIFT | |
| 121 | 6995031 | 1 | VITE | SCREW | VIS | SCHRAUBE | |
| 122 | 6995030 | 1 | FERMACATENA | CHAIN GUARD | BUTÉE CHÂÎNE | KETTENSTOP | |



P

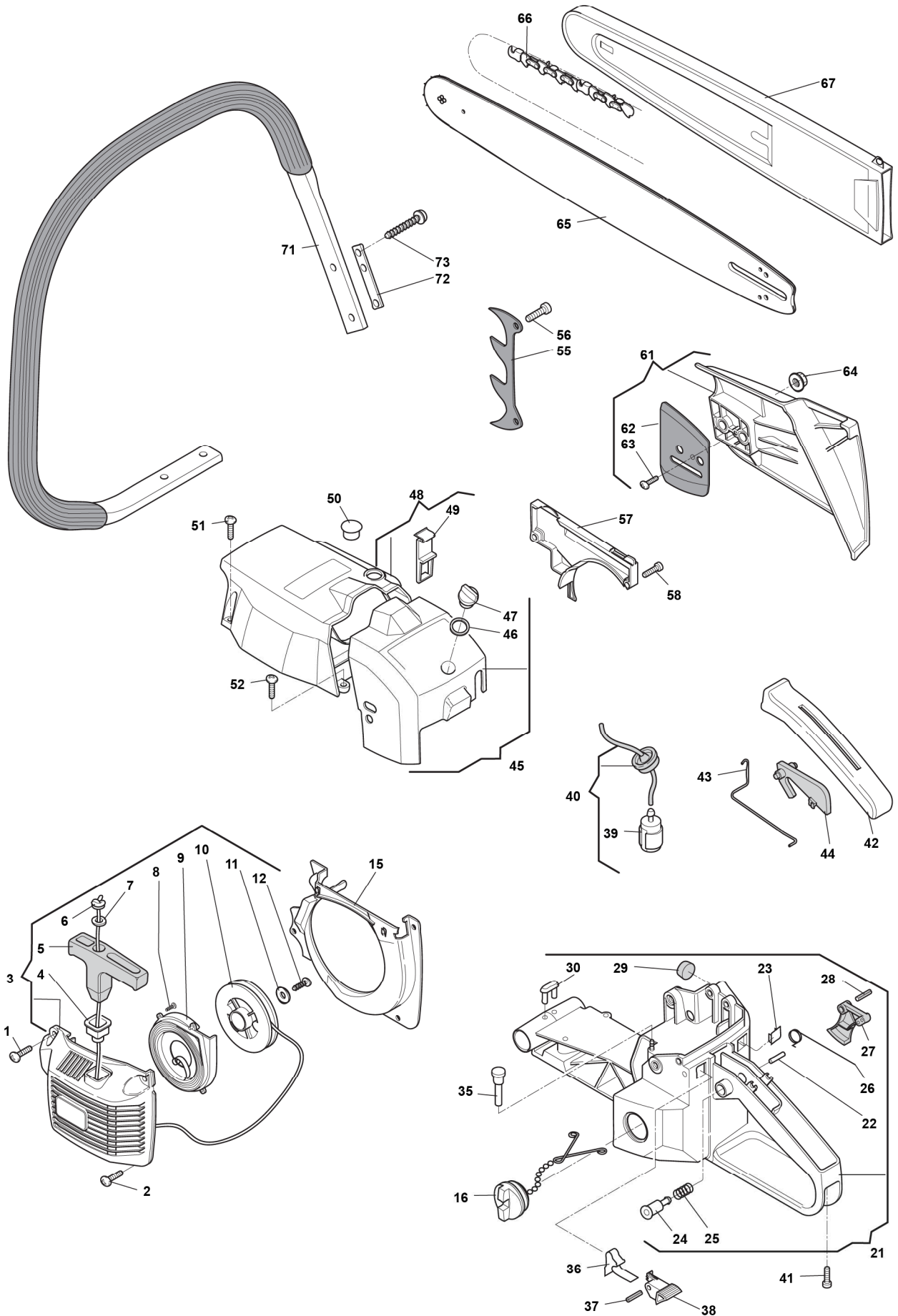
680



2007

302.0

1 / 2





| N. | CODE | Q.TY | DESCRIZIONE | DESCRIPTION | DESCRIPTION | BESCHREIBUNG | REMARKS |
|----|---------|------|-----------------------------|------------------------------|------------------------|--------------------------|----------------------------------|
| 1 | 6995142 | 1 | VITE | SCREW | VIS | SCHRAUBE | |
| 2 | 6995050 | 3 | VITE | SCREW | VIS | SCHRAUBE | |
| 3 | 6995157 | 1 | ASS. AVVIATORE GIALLO | STARTER ASSY YELLOW | DÉMARREUR JAUNE | SET STARTER GELB | |
| 3 | 6995162 | 1 | ASS. AVVIATORE ROSSO | STARTER ASSY RED | DÉMARREUR ROUGE | SET STARTER ROT | |
| 4 | 6995049 | 1 | GOMMINO PASSACAVO | GROMMET | CAOUTCHOUC PASSE-CÂBLE | LIPPKLAMPE | |
| 5 | 6995125 | 1 | IMPUGNATURA AVVIAMENTO | STARTER HANDLE | POIGNÉE DÉMARRAGE | GRIF STARTER | |
| 6 | 6995124 | 1 | FUNE AVVIAMENTO | STARTER CORD | CÂBLE DÉMARRAGE | SEIL STARTER | |
| 7 | 6995076 | 1 | RONDELLA | WASHER | RONDELLE | UNTERLEGSCHIEBE | |
| 8 | 6995061 | 2 | VITE | SCREW | VIS | SCHRAUBE | |
| 9 | 6995123 | 1 | MOLLA AVVIAMENTO | STARTER SPRING | RESSORT DÉMARRAGE | FEDER STARTER | |
| 10 | 6995099 | 1 | PULEGGIA AVVIAMENTO | STARTER PULLEY | POULIE DÉMARRAGE | RIEMENSCHIEBE STARTER | |
| 11 | 6995080 | 1 | RONDELLA | WASHER | RONDELLE | UNTERLEGSCHIEBE | |
| 12 | 6995023 | 1 | VITE | SCREW | VIS | SCHRAUBE | |
| 15 | 6995131 | 1 | CONVOGLIATORE ARIA | AIR CONVEYOR | CONVOYEUR AIR | LUFTSAMMELLEITUNG | |
| 16 | 6995091 | 1 | ASS. TAPPO MISCELA | FUEL CAP ASSY | BOUHCON MÉLANGE | SET DECKEL TREIBSTOFF | |
| 21 | 6995153 | 1 | ASS. IMPUGNATURA | HANDLE ASSY | ENS. POIGNÉE | SATZ GELBER | |
| 22 | 6995082 | 1 | FERMO | RETAINER | BUTÉE | SPERRUNG | |
| 23 | 6995089 | 1 | PIASTRINA | PLATE | PLAQUE | PLATTE | |
| 24 | 6995073 | 1 | POMELLO | KNOB | BOUTON | KNAUF | |
| 25 | 6995072 | 1 | MOLLA | SPRING | RESSORT | FEDER | |
| 26 | 6995114 | 1 | MOLLA LEVA ACCELERATORE | SPRING | RESSORT | FEDER GASHEBEL | |
| 27 | 6995134 | 1 | LEVA ACCELERATORE | THROTTLE LEVER | LEVIER ACCÉLÉRATEUR | GASHEBEL | |
| 28 | 6995016 | 1 | SPINA | PIN | CHEVILLE | STIFT | |
| 29 | 6995034 | 1 | AMMORTIZZATORE | SHOCK ABSORBER | AMORTISSEUR | STOSSDÄMPFER | |
| 30 | 6995063 | 1 | AMMORTIZZATORE | SHOCK ABSORBER | AMORTISSEUR | STOSSDÄMPFER | |
| 35 | 6995092 | 1 | ASS. VALVOLA SFIATO | BREATHER VALVE ASS.Y | VANNE ÉVENT | SET LÜFTUNGSVENTIL | |
| 36 | 6995115 | 1 | MOLLA | SPRING | RESSORT | FEDER | |
| 37 | 6995035 | 1 | SPINA ELASTICA | ELASTIC PIN | CHEVILLE | STIFT | |
| 38 | 6995090 | 1 | INTERRUTTORE | SWITCH | INTERRUPTEUR | SCHALTER | |
| 39 | 6995069 | 1 | ASS. PESCANTE MISCELA | INTAKE FILTER ASSY | PLONGEUR MÉLANGE | TREIBSTOFFLEITUNG | |
| 40 | 6995116 | 1 | TUBO PESCANTE MIX | FUEL LINE | TUYAU PLONGEUR MÉLANGE | TREIBSTOFF-ZUFUHRLEITUNG | |
| 41 | 6995113 | 1 | VITE | SCREW | VIS | SCHRAUBE | |
| 42 | 6995154 | 1 | COPERCHIO IMPUGNATURA | HANDLE COVER | COUVERCLE POIGNÉE | DECKEL GRIF | |
| 43 | 6995052 | 1 | LEVA ACCELERATORE | THROTTLE LEVER | LEVIER ACCÉLÉRATEUR | GASHEBEL | |
| 44 | 6995135 | 1 | LEVA DI SICUREZZA | SAFETY LEVER | LEVIER DE SÉCURITÉ | SICHERHEITSHABEL | |
| 45 | 6995158 | 1 | COPRIFILTRO GIALLO | FILTER COVER YELLOW | COUVRE-FILTRE JAUNE | FILTERABD. GELB | |
| 45 | 6995163 | 1 | COPRIFILTRO ROSSO | FILTER COVER RED | COUVRE-FILTRE ROUGE | FILTERABD. ROT | |
| 46 | 6995133 | 1 | GUARNIZIONE | GASKET | GARNITURE | DICHTUNG | |
| 47 | 6995127 | 1 | POMELLO | KNOB | BOUTON | KNAUF | |
| 48 | 6995152 | 1 | ASS. COPRICILINDRO GIALLO | CYLINDER COVER YELLOW | COUVRE-CYLINDRE JAUNE | ZYLINDERABD. GELB | |
| 48 | 6995159 | 1 | ASS. COPRICILINDRO ROSSO | CYLINDER COVER RED | COUVRE-CYLINDRE ROUGE | ZYLINDERABD. ROT | |
| 49 | 6995110 | 1 | REGOLATORE RISCALDAMENTO | HEATER REGULATOR | RÉGULATEUR CHAUFFAGE | HEIZUNGSREGLER | |
| 50 | 6995111 | 1 | GOMMINO | GROMMET | CAOUTCHOUC | GUMMI | |
| 51 | 6995012 | 1 | VITE | SCREW | VIS | SCHRAUBE | |
| 52 | 6995010 | 2 | VITE | SCREW | VIS | SCHRAUBE | |
| 55 | 6995060 | 1 | ARPIONE | SPIKE | CLIQUET | SPERRKLINKE | |
| 56 | 6995033 | 2 | VITE | SCREW | VIS | SCHRAUBE | |
| 57 | 6995161 | 1 | COPERCHIO FRENO | COVER | COUVERCLE FREIN | BREMSDECKEL | |
| 58 | 6995009 | 2 | VITE | SCREW | VIS | SCHRAUBE | |
| 61 | 6995156 | 1 | ASS. CARTER FRIZIONE GIALLO | CLUTCH HO. W/BR. ASSY YELLOW | CARTER FRICTION JAUNE | KUPPLUNGSGEH. GELB | |
| 61 | 6995160 | 1 | ASS. CARTER FRIZIONE ROSSO | CLUTCH HO. W/BR. ASSY RED | CARTER FRICTION ROUGE | KUPPLUNGSGEH. ROT | |
| 62 | 6995118 | 1 | LAMIERINO BARRA ESTERNO | PLATE | PLAQUE GUIDE EXTERNE | BLECH STANGE AUßEN | |
| 63 | 6995013 | 1 | VITE | SCREW | VIS | SCHRAUBE | |
| 64 | 6995097 | 2 | DADO | NUT | ECROU | MUTTER | |
| 65 | 6995316 | 1 | BARRA GUIDA 18" | GUIDE BAR 18" | GUIDE-CHAÎNE 18" | KETTENSTEG 18" | 18" 3/8" .058" (1.5 mm) |
| 65 | 6995164 | 1 | BARRA GUIDA 20" | GUIDE BAR 20" | GUIDE-CHAÎNE 20" | KETTENSTEG 20" | 20" 3/8" .058" (1.5 mm) |
| 66 | 4113742 | 1 | CATENA 18" | CHAIN 18" | CHAÎNE 18" | KETTE 18" | 18" 3/8" .058" (1.5 mm) - 66E |
| 66 | 4113741 | 1 | CATENA 20" | CHAIN 20" | CHAÎNE 20" | KETTE 20" | 20" 3/8" .058" (1.5 mm) - 72E |
| 67 | 4181497 | 1 | COPRIBARRA | CHAIN COVER | PROTÈGE-GUIDE | SCHW. STANGENABDECKUNG | |
| 71 | 6995057 | 1 | CORRIMANO | HANDLE | MAIN-COURANTE | HANDLAUF | |
| 72 | 6995067 | 2 | PIASTRINA | PLATE | PLAQUE | PLATTE | |
| 73 | 6995002 | 4 | VITE | SCREW | VIS | SCHRAUBE | |

